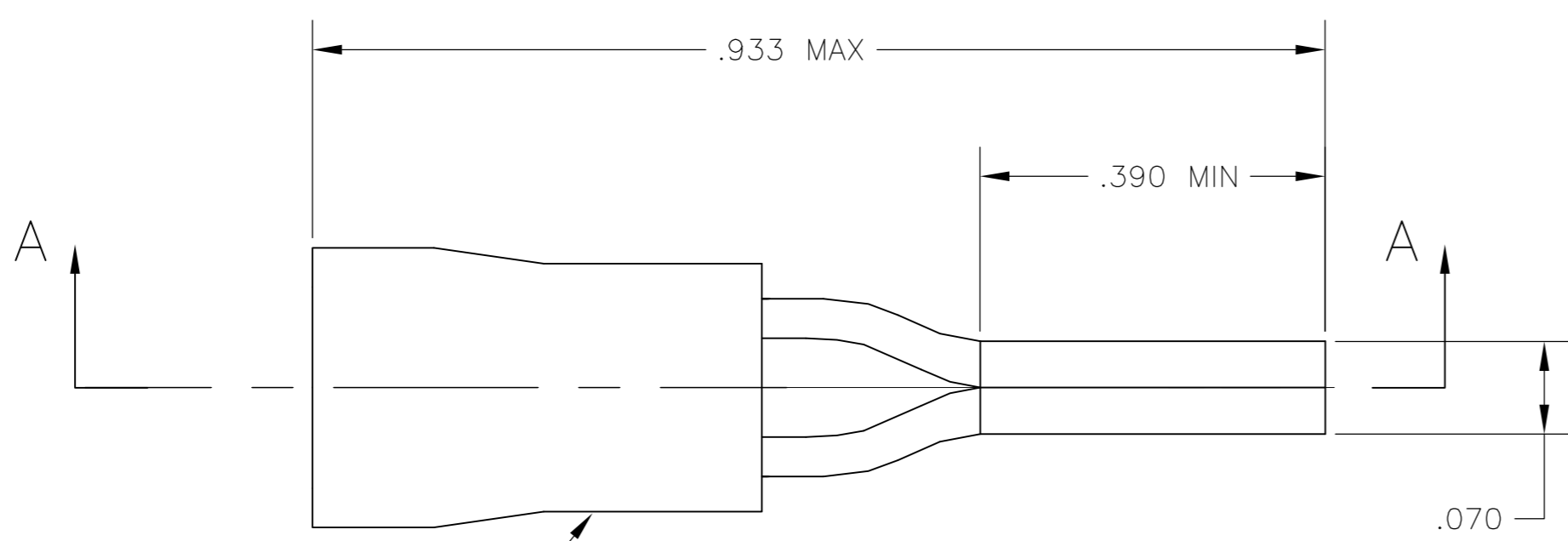


THIS DRAWING IS UNPUBLISHED. RELEASED FOR PUBLICATION
 © COPYRIGHT BY TYCO ELECTRONICS CORPORATION. ALL RIGHTS RESERVED.

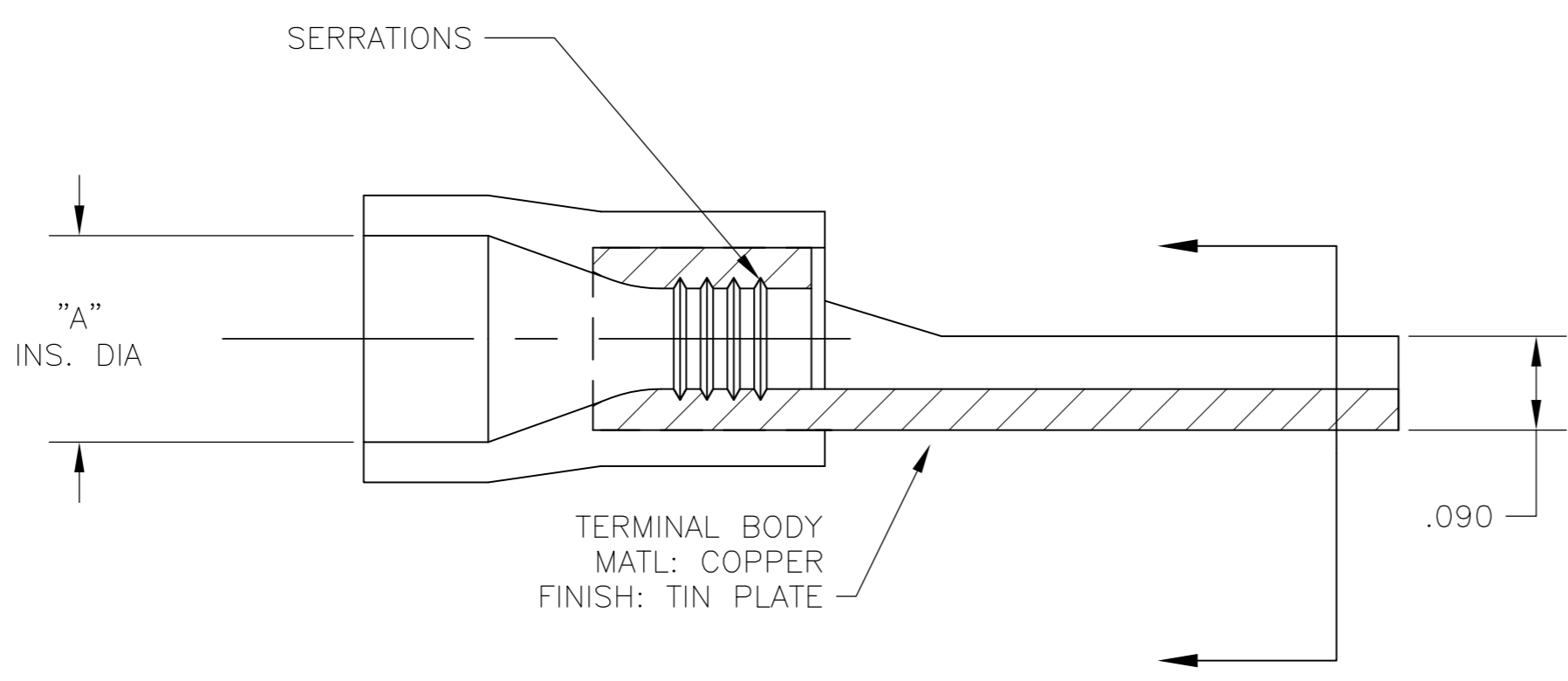
LOC	DIST	REVISIONS			
P	LTR	DESCRIPTION	DATE	DWN	APVD
G	14				
		REV PER ECR 07-023647	12OCT07	jr	TM



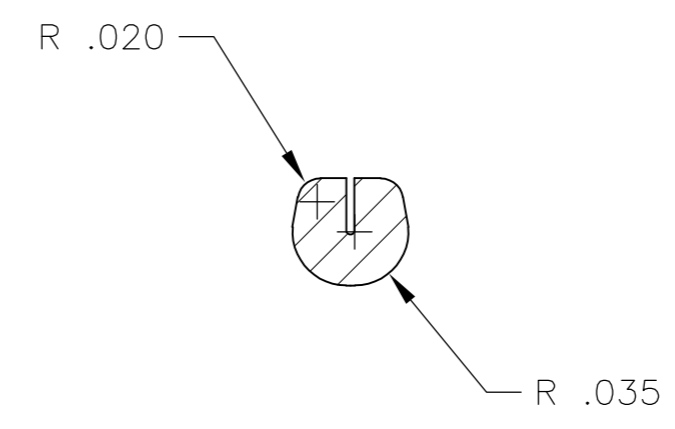
INSULATION SLEEVE
 MATERIAL: PVC
 COLOR: BLUE

- 1 WIRE SIZE IS #16-#14 AWG
- 2 SUPERSEDED BY 165171
- 3 OBSOLETE - NO REPLACEMENT

.115-.170	---	165171-1	2
.115-.190	2-165171-0	165171	3
INSUL DIA RANGE, "A"	P/N ON TAPE	PART NO.	



SECTION A-A



165171
 PART NO

DIMENSIONS: INCHES		TOLERANCES UNLESS OTHERWISE SPECIFIED:		DWN		Tyco Electronics		Tyco Electronics Corporation	
0 PLC	± -	1 PLC	± -	jr ruth	31MAY07	Harrisburg, PA 17105-3608		NAME	
2 PLC	± -	3 PLC	± .010	T MICHIELUTTI	31MAY07	T MICHIELUTTI		PRODUCT SPEC	
4 PLC	± -	ANGLES	± 1°	APVD	31MAY07	T MICHIELUTTI		APPLICATION SPEC	
MATERIAL	-	FINISH	-	WEIGHT	-	SIZE	A2	CAGE CODE	00779
				CUSTOMER DRAWING		DRAWING NO	C=165171		RESTRICTED TO
						SCALE	8:1	SHEET	1 of 1
						REV	G		